

# WF-500 Series Control Board Instruction Manual

## 1、 Type:

Type	Relay Channel	Save or Not	LED Bits	Max. Timer	Setup Button
WF-500	1	No	2	99 Minutes	1
WF-500B	1	No (Standard)	4	99 Minutes	2
WF-500C	4	No (Standard)	4	99 Minutes	2
WF-500FUSB	Double USB	No (Standard)	4	99 Minutes	2

## 2、 How to setup:

There are one Button (WF-500) or Two Button (WF-500B) on the control board. We can use the setup button to preset the timer value per coin pulse. After release the setup button at 3 seconds, then control board will auto-save the preset value.

## 3、 Wires:

### (1) Input wire:

Three pin connector with : Red wire, black wire, white wire and that is specified as following :

**Red:** To power supply : +12V

**Black:** To power supply: GND

**White:** Coin pulse input (Connect the coin pulse output line from coin acceptor)

(If have other wires, no need to connect)

If the board have the save function, then will have another reset wire, that is used to reset the timer value.

### (2) Output wire

WF-500, WF-500B have two relay switch output line, that is a relay output switch, that is used to control the outside signal, for example, that can be used to switch the power line and others. That is working as a switch.

WF-500C has four relay switch output lines, that is used to control double switch channels at the same time.

WF-500USB has two USB cables, that is used to control double USB cable at the same time. For example, when control the mouse and keyboard, you just need to connect the USB mouse and keyboard to the USB board, and another double USB cable from USB board to PC.

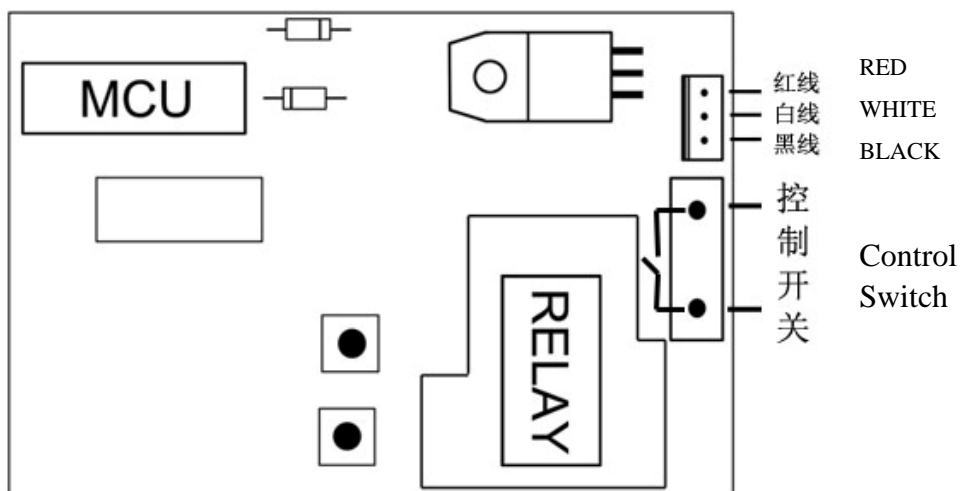
### (3) Output Relay Power

WF-500: 250VAC 5A / 30VDC 5A 或 250V 30A / 30VDC 30A

WF-500B: 250VAC 5A / 30VDC 5A 或 250V 30A / 30VDC 30A

WF-500C: 125VAC 1A / 30VDC 2A

### WF-500, WF-500B



### WF-500C

